



How to Connect an Alarm Output Device to a Uniview Camera?

Title:	How to Connect an Alarm Output Device to a Uniview Camera?	Version:	V1.1
Product:	IPC	Date:	9/26/2023

How to Connect an Alarm Output Device to a Uniview Camera?

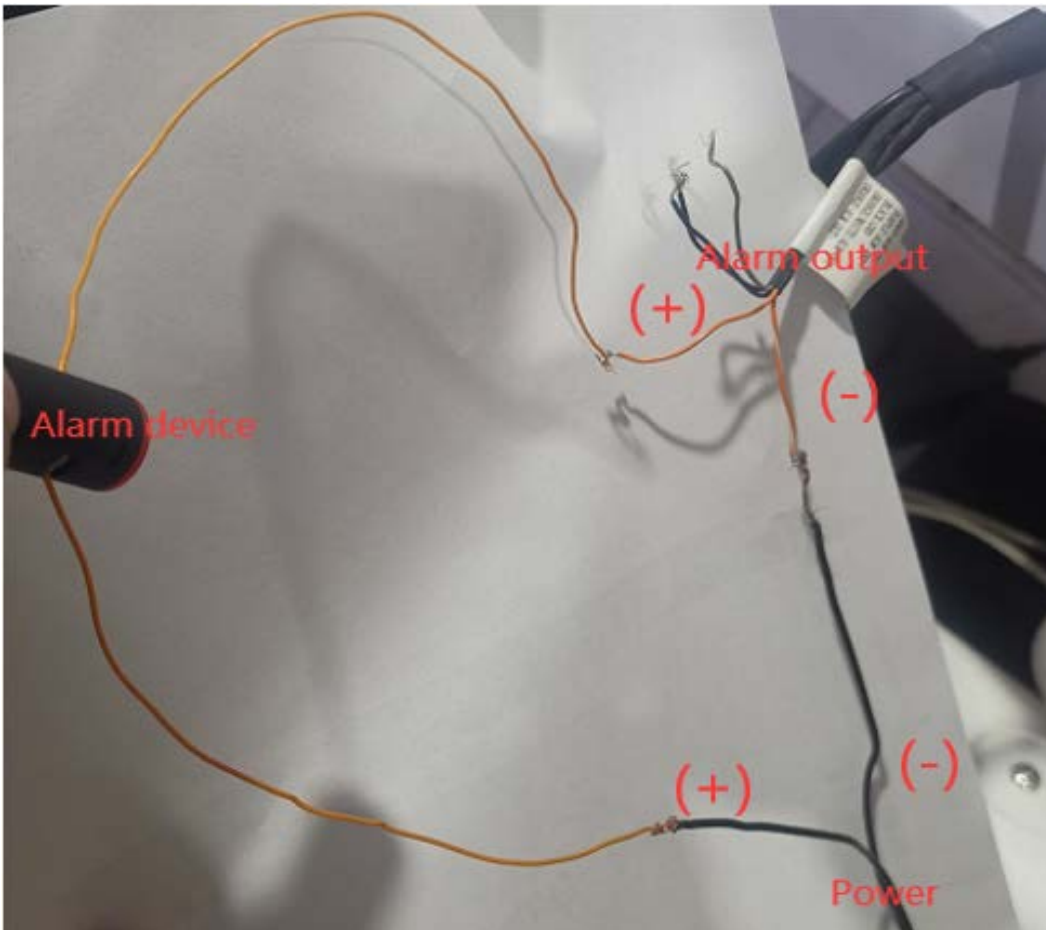
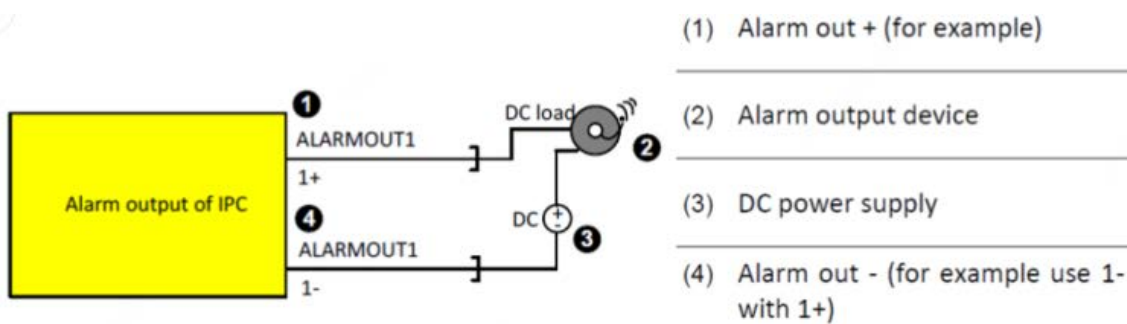
Description

Note: This method is applicable to most scenarios. If the method cannot solve your problem, it is recommended to consult our Tech Support Team.

https://global.uniview.com/Support/Service_Hotline/

Preparation

How to connect the alarm output device?



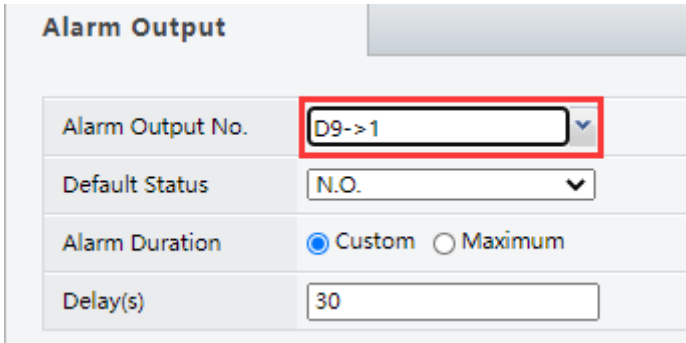
Note: This function only works on cameras that have the alarm output tail cables.

Title:	How to Connect an Alarm Output Device to a Uniview Camera?	Version:	V1.1
Product:	IPC	Date	9/26/2023

Operating Steps

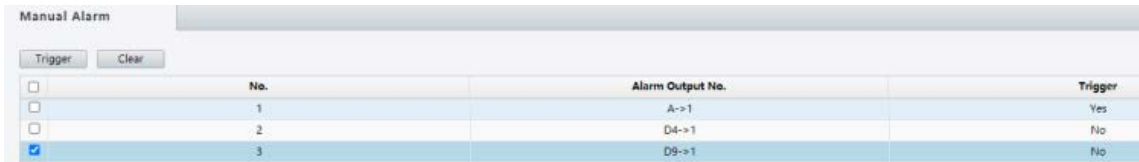
Step 1 Log into the NVR and set it up under **Setup>Alarm>Alarm Output**.

Make sure the correct alarm channels are selected (e.g. D9->1 means that the alarm output is on Camera D9).



Alarm Output No.	D9->1
Default Status	N.O.
Alarm Duration	<input checked="" type="radio"/> Custom <input type="radio"/> Maximum
Delay(s)	30

Step 2 Test the device under **Alarm>Alarm Output>Manual Alarm>Trigger**



	No.	Alarm Output No.	Trigger
<input type="checkbox"/>	1	A->1	Yes
<input type="checkbox"/>	2	D4->1	No
<input checked="" type="checkbox"/>	3	D9->1	No